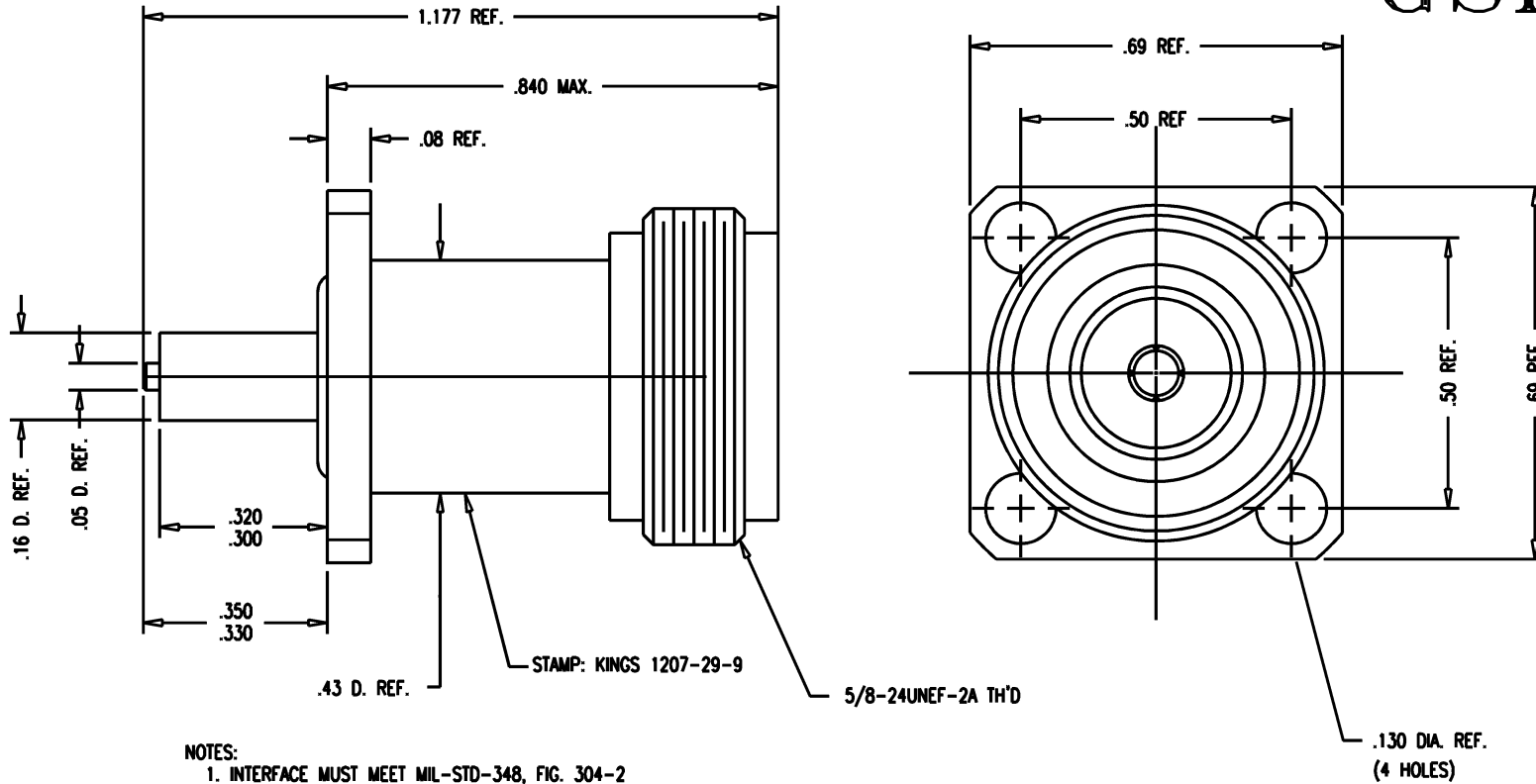


GSD



NOTES:

1. INTERFACE MUST MEET MIL-STD-348, FIG. 304-2
2. MATERIALS:
 INSULATOR: TEFLON, ASTM-D-4894
 CENTER CONTACT: BER. COPPER, ASTM-B-196
 FLANGE O-RING: SYNTHETIC RUBBER, MIL-P-5516
 INTERNAL O'RINGS: SILICONE RUBBER ZZ-R-765
 ALL OTHER PARTS: BRASS, ASTM-B16
3. FINISHES:
 CENTER CONTACT: HARD GOLD PLATE, PER MIL-G-45204
 ALL OTHER METAL PARTS: KINGS TARNISH RESISTANT NICKEL FINISH (TR-5)
4. ELECTRICAL CHARACTERISTICS:
 NOMINAL IMPEDANCE: 50 OHMS
 WORKING VOLTAGE: 1000 VRMS
 FREQUENCY RANGE: DC TO 11 GHz
5. ENVIRONMENTAL:
 MUST WITHSTAND A 30 PSI MIN. PRESSURE TEST.

GSD

1207-29-9

REVISIONS

ISSUE	CHANGES
0	ER 35601 KVH 06/01/94

SCALE 4:1	
APPROX SURFACE AREA	
USED ON	
REF: H.P. 510 0537750012	
RECEPTACLE, PANEL, N	
DRAWN KVH	DATE 06/01/94
DESIGN GA	DATE 06/09/94
APPR.	DATE

KINGS
 ELECTRONICS CO., INC.
 TUCKAHOE, NEW YORK 10707

1207-29-9